

The nylon plug for all building materials



BUILDING MATERIALS

- Concrete
- Gypsum plasterboard and gypsum fibreboards
- Vertically perforated brick
- Hollow blocks made from lightweight concrete
- Cavity floor slabs made from bricks and concrete
- Perforated sand-lime brick
- Solid sand-lime brick
- Natural stone
- Aerated concrete
- Chipboard
- Solid panel made from gypsum
- Solid brick made from lightweight concrete
- Solid brick

APPROVALS



ADVANTAGES

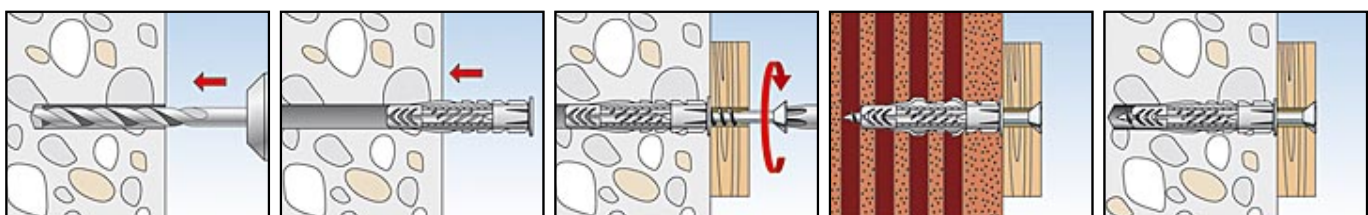
- The universal operating principle (knotting or expanding) allows for use in all solid, hollow and board building materials. Thus the UX is the correct choice for unknown base materials.
- The UX's angled connection ridges allow for optimum screw guidance. Serrated anti-rotation locks prevent rotation in the drill hole. This guarantees the greatest possible installation safety.
- Fixing sets with screws, eye screws and hooks provide the right solution for all applications.

APPLICATIONS

- Pictures
- Lighting
- Skirting
- Light cabinets
- Towel rails
- Mirror cabinets
- Curtain rails
- Wash basin fixings
- TV consoles
- Plumbing and heating fixings

FUNCTIONING

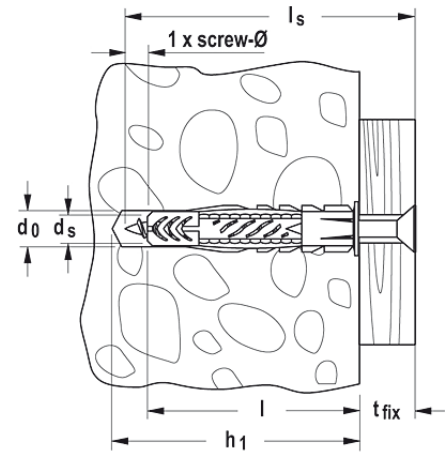
- The UX with rim is suitable for pre-positioned installation; the UX without rim is suitable for push-through installation.
- Turning in the screw causes the UX to expand in the solid building material and to knot within the cavity.
- The required screw length is given by the plug length + fixture thickness + 1x screw diameter.
- Suitable for wood and chipboard screws, as well as stud screws.
- In the case of board building materials, the threadless part of the screw must not be longer than the fixture, and the UX with rim is to be used.
- The edge distance must be at least one plug length.



TECHNICAL DATA



Universal plug UX



Type	Art.-No.	Drill hole diameter d_0 [mm]	Min. drill hole depth h_1 [mm]	Min. panel thickness d_0 [mm]	Anchor length l [mm]	Sales unit [pcs]
UX 5 x 30	094721	5	40	9,5	30	100
UX 5 x 30 R	094722	5	40	9,5	30	100
UX 6 x 35	062754	6	45	9,5	35	100
UX 6 x 35 R	062756	6	45	9,5	35	100
UX 6 x 35R S/20	094758	6	65	9,5	35	25
UX 6 x 50	072094	6	60	9,5	50	100
UX 6 x 50 R	072095	6	60	9,5	50	100
UX 6 x 50R S/20	094759	6	80	9,5	50	25
UX 8 x 40 R	505483	8	50	9,5	40	100
UX 8 x 50	077869	8	60	9,5	50	100
UX 8 x 50 R	077870	8	60	9,5	50	100
UX 8 x 50R S/15	094762	8	75	9,5	50	25
UX 8 x 50R S/25	094760	8	85	9,5	50	25
UX 10 x 60	077871	10	75	12,5	60	50
UX 10 x 60 R	077872	10	75	12,5	60	50
UX 10 x 60 S/20	094761	10	90	12,5	60	10
UX 12 x 70	062758	12	85		70	25
UX 14 x 75	062757	14	95		75	20

LOADS

Universal plug UX

Highest recommended loads¹⁾ for a single anchor.

The given loads are valid for wood screws with the specified diameter.

Type		UX5	UX6	UX6 x 50	UX8	UX10	UX12	UX14
Screw diameter	∅ [mm]	4	5	5	6	8	10	12
Recommended loads in the respective base material F_{rec}²⁾								
Concrete	≥ C20/25 [kN]	0,30	0,40	0,60	0,60	1,00	1,50	1,80
Solid brick	≥ Mz 12 [kN]	0,20	0,20	0,30	0,30	0,50	0,70	0,80
Hollow sand lime stone	≥ KSL 12 [kN]	0,30	0,40	0,40	0,50	0,60	0,80	0,80
Vertically perforated brick	≥ Hlz 12 [kN]	0,20	0,20	0,20	0,20	0,20	0,30	0,40
Aerated concrete	≥PB4, PP4 (G4) [kN]	0,15	0,20	0,20	0,30	0,40	0,60	0,70
Gypsum plasterboard	12,5 mm [kN]	0,10	0,10	0,10	0,10	0,10	-	-
Gypsum plasterboard	25 mm [kN]	0,10	0,15	0,15	0,15	0,15	-	-
Gypsum fibreboard	(Fermacell) [kN]	0,20	0,20	0,20	0,20	0,25	-	-
Plaster wall	ρ ≥ 0,9 kg/dm ³ [kN]	-	-	-	0,15	0,35	0,45	0,50

¹⁾ Includes the safety factor 7.

²⁾ Valid for tensile load, shear load and oblique load under any angle.